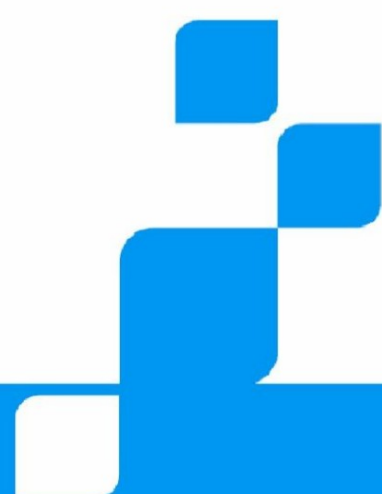




WiseFone7510 CPE FOTA 说明



Legal Notices

By receiving this document from ZTE Corporation (hereinafter referred to as "ZTE"), you agree to the following terms. If you do not agree with the following terms, please stop using this document.

This document is copyrighted by ZTE Corporation. Any rights not expressly granted in this document are reserved. The document contains proprietary information of ZTE. Without the prior written permission of ZTE, no unit or individual may copy, transmit, distribute, use or disclose this document and any pictures, tables, data and other information contained in this document.

ZTE and **ZTE中兴** is a registered trademark of ZTE Corporation. ZTE product names and logos are trademarks or registered trademarks of ZTE Corporation. Other product or company names mentioned in this document may be trademarks or registered trademarks of their respective owners. Without the prior written consent of ZTE or third-party rights holders, reading this document does not imply, estoppel or otherwise, granting the reader any right to use any marks appearing in this document.

This product complies with the design requirements for environmental protection and personal safety. The storage, use and disposal of the product should be carried out in accordance with the product manual, relevant contracts or the requirements of laws and regulations of relevant countries.

This document is provided "as is" and "as is" only. The information in this document will be updated continuously with the advancement of ZTE's products and technologies, and ZTE will no longer notify the update of such information.

Feedback form

In order to improve the quality of ZTE's user information and serve you better, I hope you can put forward your suggestions and opinions in your busy schedule, and ask Fax to: 0755-26772236, or mail to: ZTE College, ZTE Building, Keji South Road, Shenzhen High-tech Industrial Park

Document Development Department, Postal Code: 518057, E-mail: doc@zte.com.cn. For valuable suggestions and opinions, we will give prizes

encourage.

Material Name WiseFone7510 CPE FOTA Description				Data version 20140529-R1.0		
product version						
The time your organization selected the product						
In order to be able to contact you in time, please fill in the following information about you						
Name		company name				
post code		unit address				
telephone				E-mail		
your interest in this information evaluation of		Okay	better	generally	poor	Others
	overall satisfaction					
	work instruction					
	Easy to check					
	correct content					
	Complete content					
	Reasonable structure					
	Chart Description					
your interest in this information Suggestions for Improvement	Detailed description					
	Content structure					
	Details					
	content depth					
	Concise expression					
	add graphics					
	add instance					
	Add FAQ					
other						
Your opinion on ZTE user profile other suggestion						

foreword

Manual Description

This document mainly introduces the implementation of WISEFONE 7510 FOTA on CPE.

Version update instructions

Data version	Information update instructions
20140529-R1.0	The first release of the manual

content

1	Overview	1
2	CPE FOTA architecture.....	1
3	Upgrade package transmission	1
4	Upgrade Extended AT Commands	2
	Appendix A Glossary	3

ZTE Confidential

1 Overview

WiseFone7510 FOTA (Firmware Over-The-Air) is an over-the-air software download upgrade for mobile terminals.

Through over-the-air upgrade technology, network-enabled devices such as cell phones, portable media players, mobile internet

Internet-connected devices, provide firmware upgrade services, and complete system repair and optimization.

2 CPE FOTA Architecture

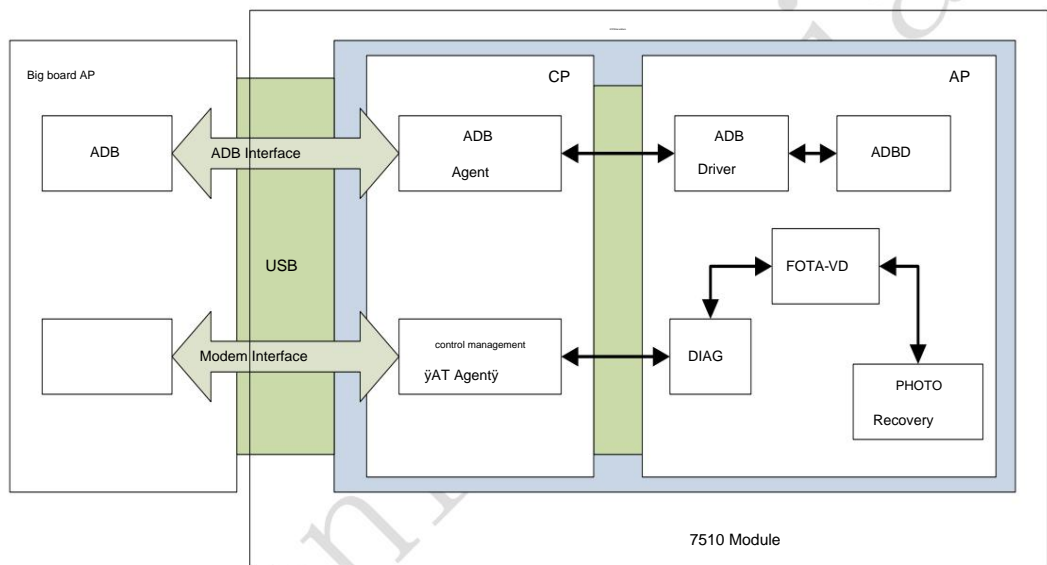


Figure 2.1 7510 CPE FOTA architecture

Figure 2.1 shows the FOTA interface process on the CPE model. In this form, the large-board AP is responsible for downloading the upgrade package.

7510 module only provides local Modem version upgrade function.

The CPE large board transmits the upgrade package of the 7510 module to the 7510 AP side through the PUSH function of ADB (the 7510 module

The upgrade package is stored in the file system on the 7510-AP side).

At the same time, a communication interface based on Modem Interface is established between the large board and the 7510 module, as the command of FOTA upgrade.

command the control channel.

3 Upgrade package transmission

On the AP side of the large board, it is possible to delete the existing upgrade package and upgrade log file of the 7510 module through the following commands and transfer the

New upgrade package to 7510 module side:

```
adb shell rm -rf /cache/delta.package
```

```
adb shell rm -rf /cache/image.zip
```

```
adb push /mnt/temp/image.zip /cache/  
adb shell unzip /cache/image.zp -d /cache/  
adb shell rm -rf /cache/zte_fota/log/fota.log
```

4 Upgrade extended **AT** commands

Enter the AT command to verify the upgrade differential package:

- 1) Input at ttyUSB3 to open the modem port;
- 2) Enter in sequence:

AT + FOTACTR = 0

AT + FOTACTR = 1

AT + FOTACTR = 2

AT + FOTACTR = 3

Check the return value: 0=success, 1=failure, 2=waiting, 3=error.

Extended AT Description:

AT+FOTACTR=0 is used to query whether there is an upgrade package locally, if yes, it will return 0; if not, it will return 1.

AT+FOTACTR=1 is used to query the verification result of the upgrade package. It returns 0 if the verification is successful, 1 if the verification fails, and 2 during the verification.

AT+FOTACTR=2 starts fota upgrade.

AT+FOTACTR=3 is used to query the result of fota upgrade. It returns 0 if the fota upgrade is successful, 1 if the upgrade fails, and 2 if the upgrade is still in progress.

All AT commands return 3 in case of other unknown errors

Appendix A Glossary of Terms

Definition of Terms	meaning
PHOTO	Firmware Over-The-Air

ZTE Confidential